

CH5S918N 900mm WALL INCLINED COOKER HOOD

Design:

- Painted / Glass Black
- Touch control

Features:

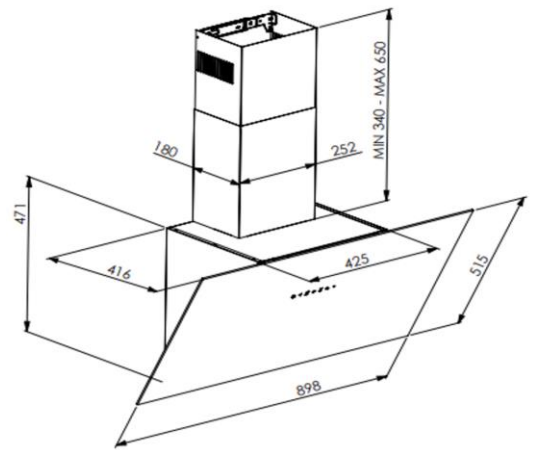
- 3 speed levels + boost
- Aluminum anti-grease filter x 1pc
- Timer function

Technical information:

- Extraction capacity: max. 777m³/h (EN61591)
- 2 x 1W LED spots
- Air outlet: 150mm
- Total connected load: 253W

Product dimensions:

- Product dimensions (WxDxH):
898 x 416 x 811-1121 (mm)



Made in Italy

